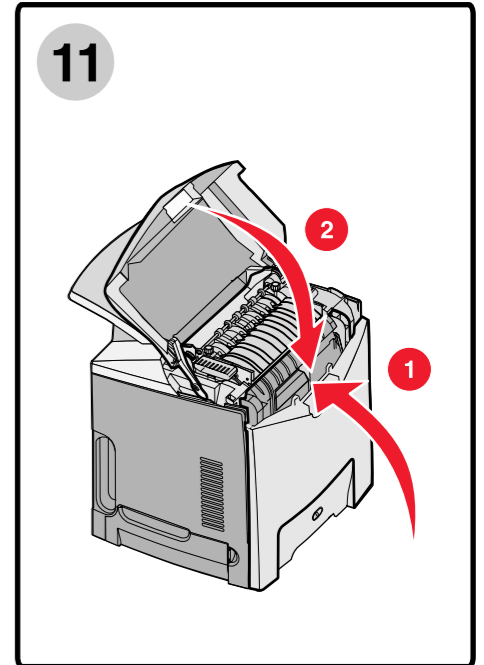
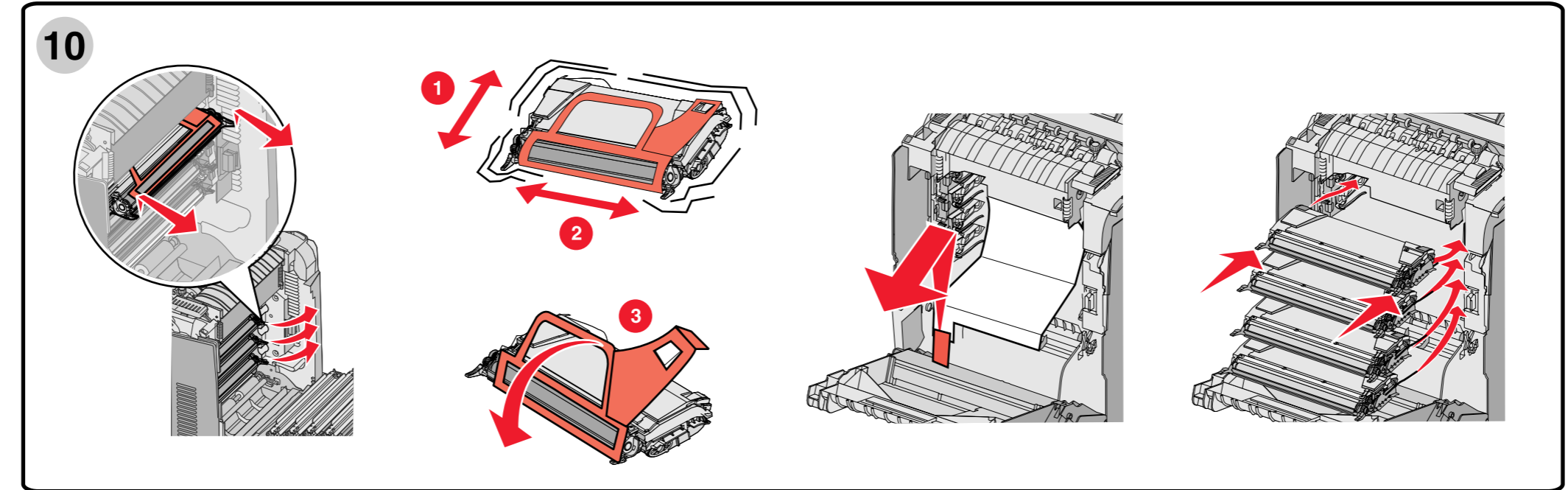
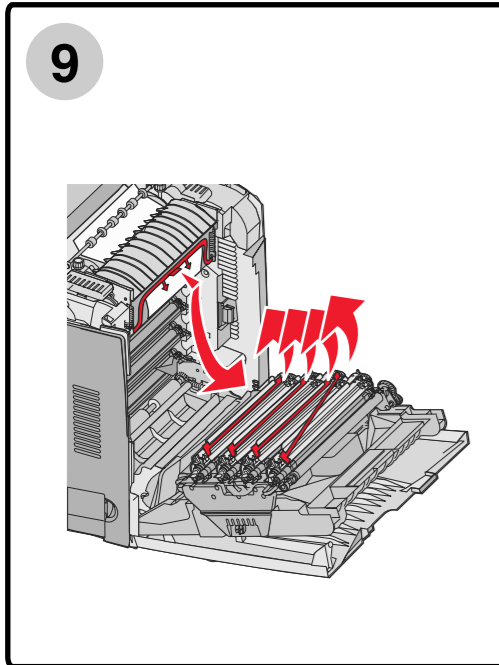
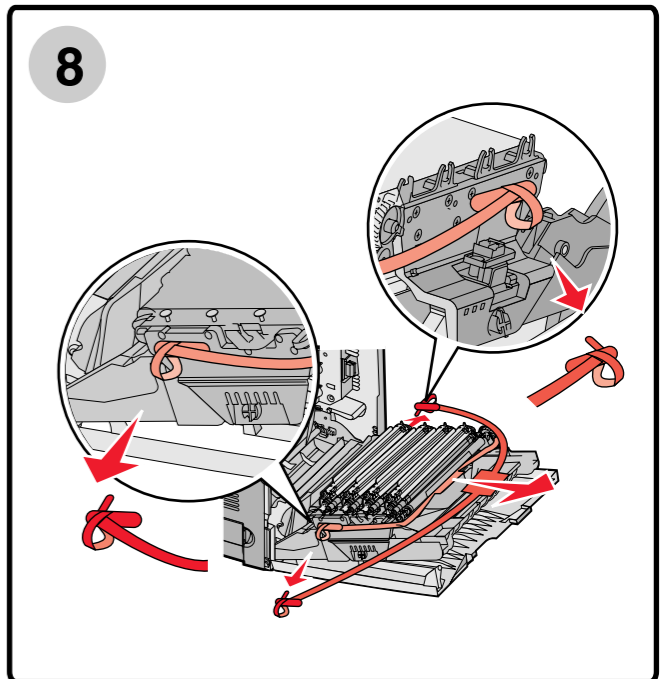
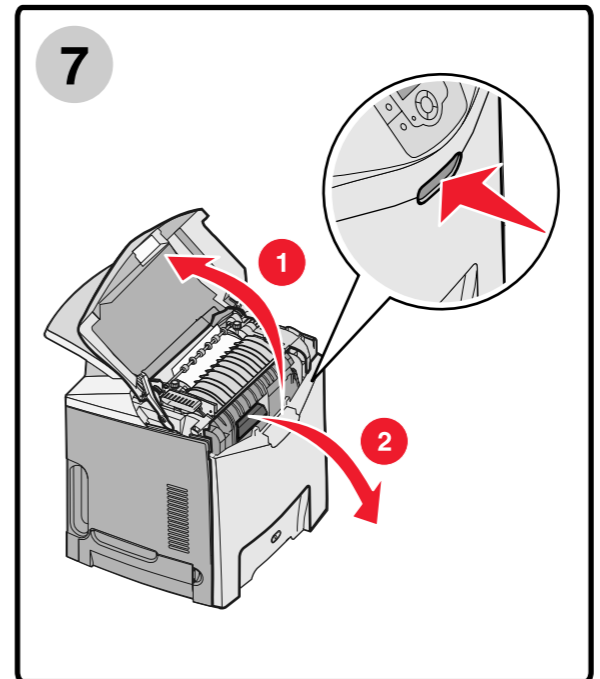
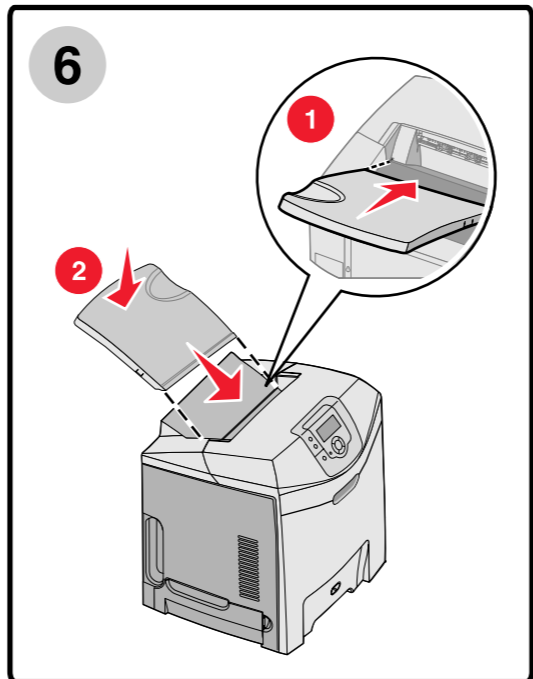
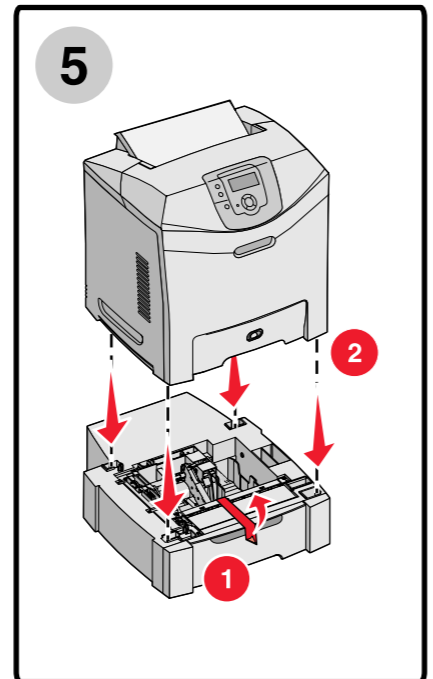
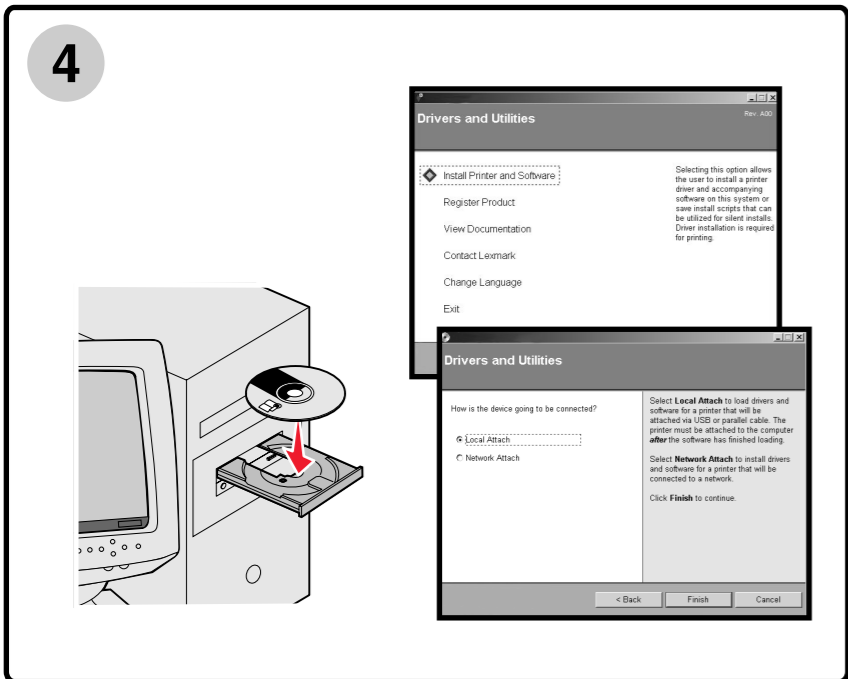
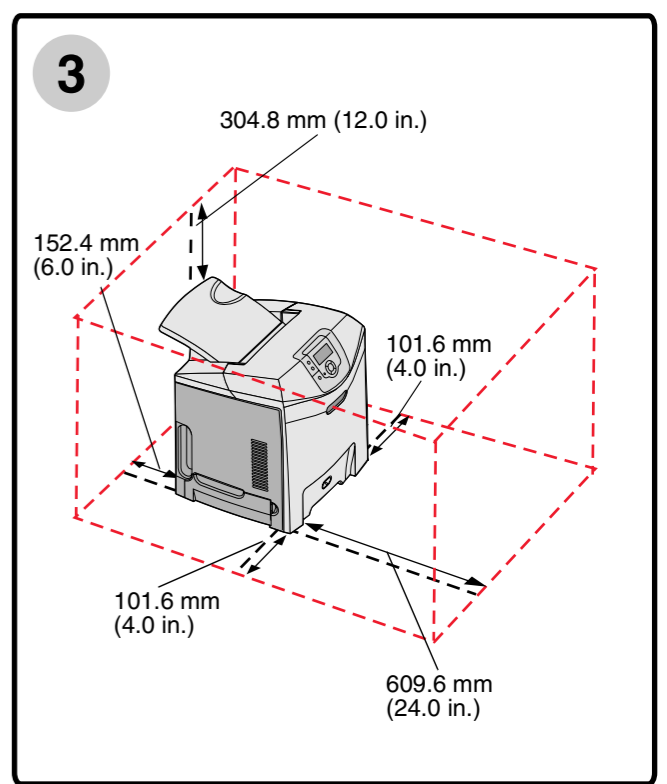
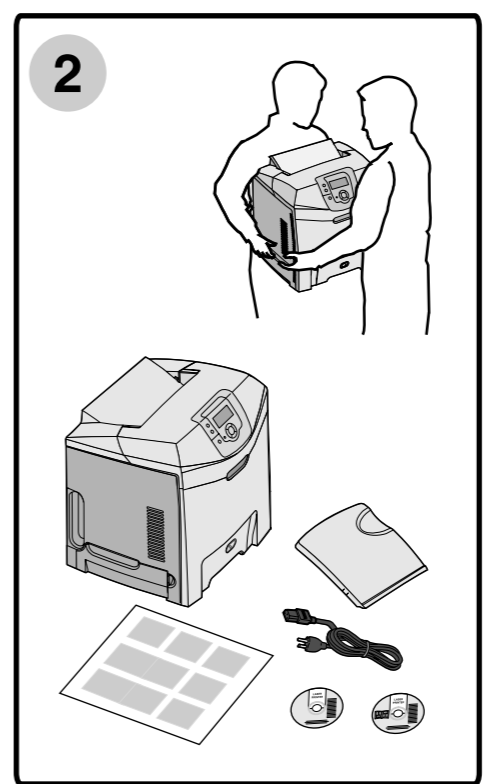
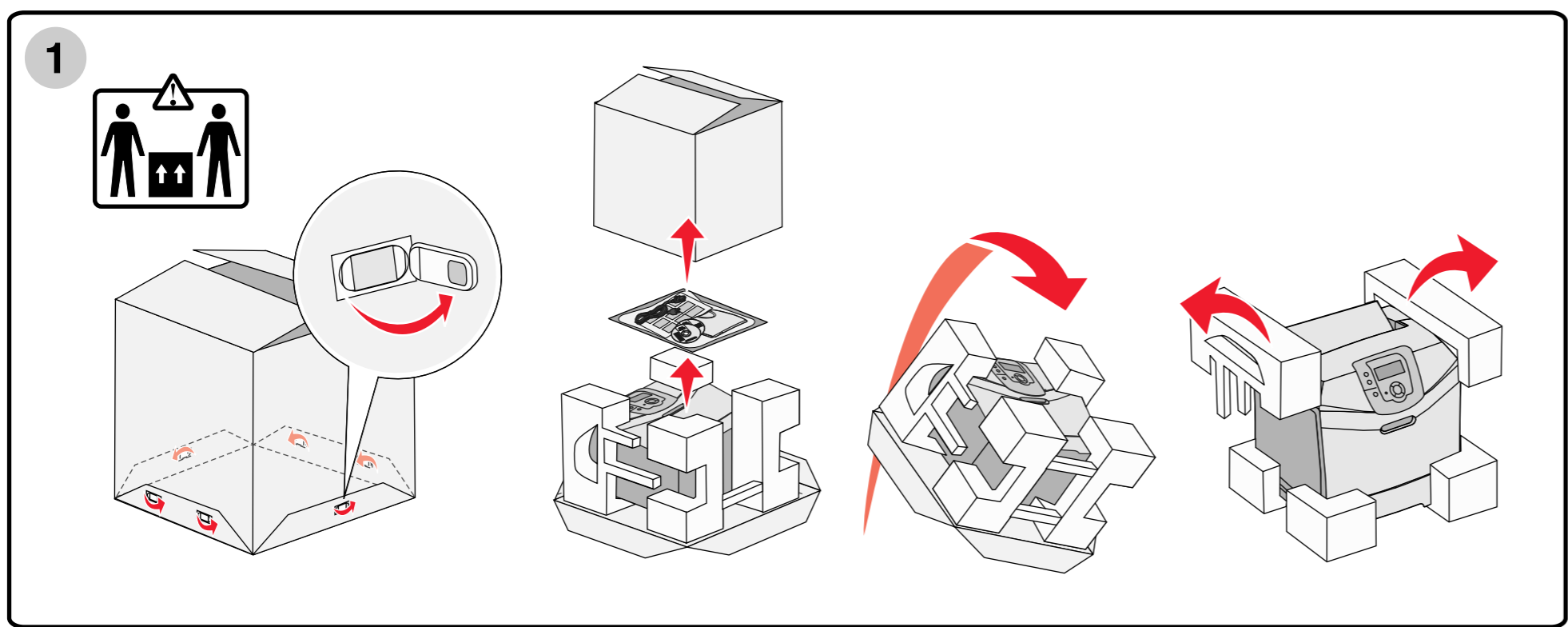


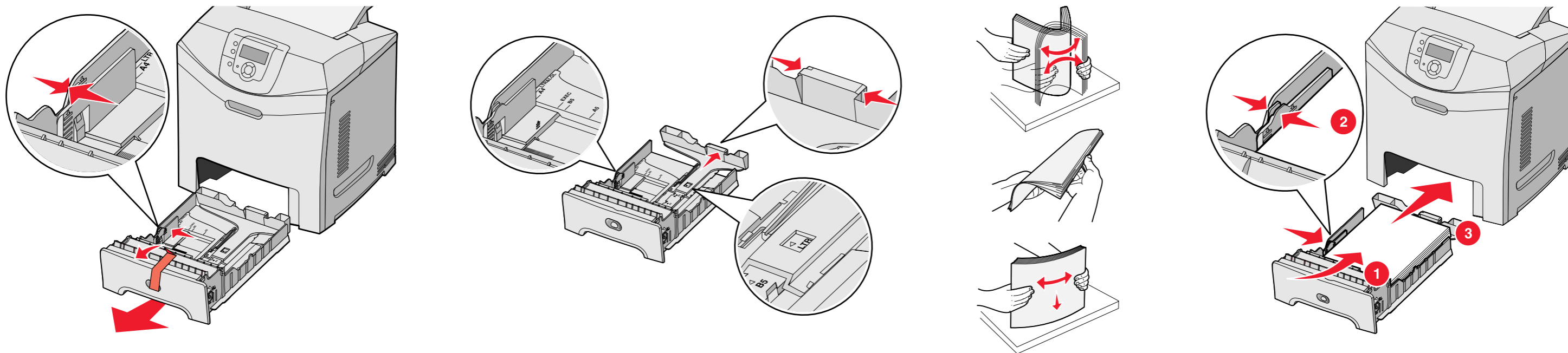
Local setup
 Installation locale
 Lokale installation
 Instalación local
 Installazione locale

Instalação local
 Lokal installation
 Lokale installatie
 Paikallinen asennus
 Lokal installasjon

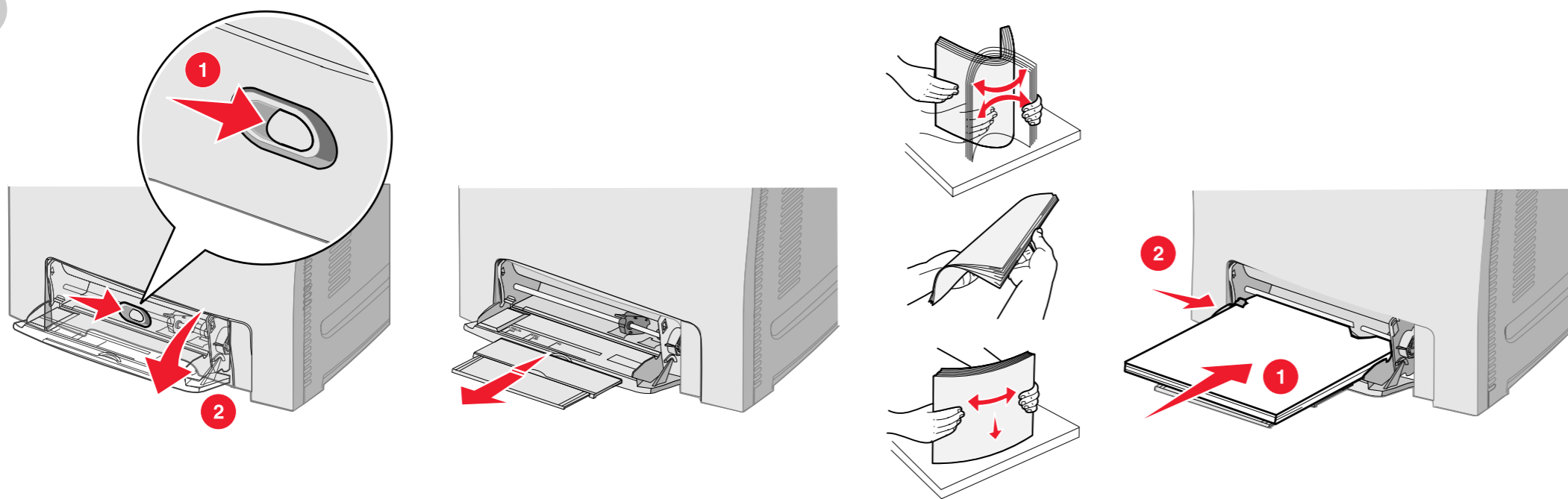
Instalacja lokalna
 Локальная установка
 本地设置
 本端設定
 로컬 설치



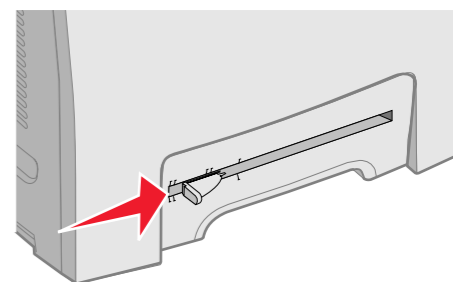
12



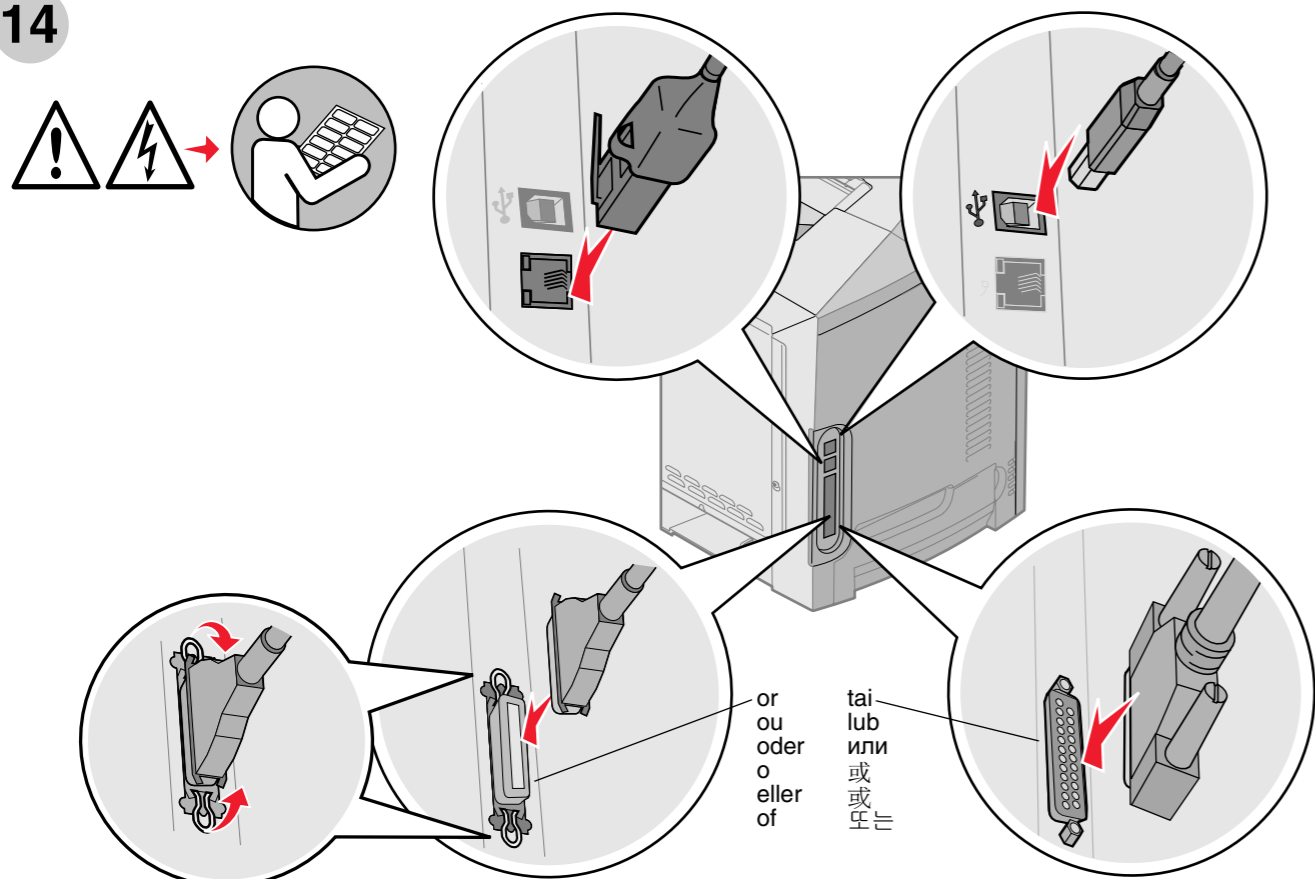
13



or
ou
oder
o
eller
of
tai
lub
или
或
或

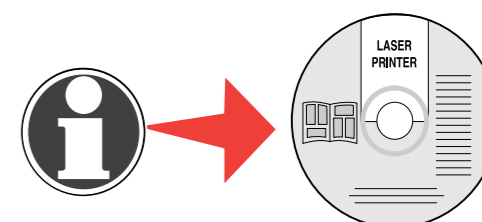
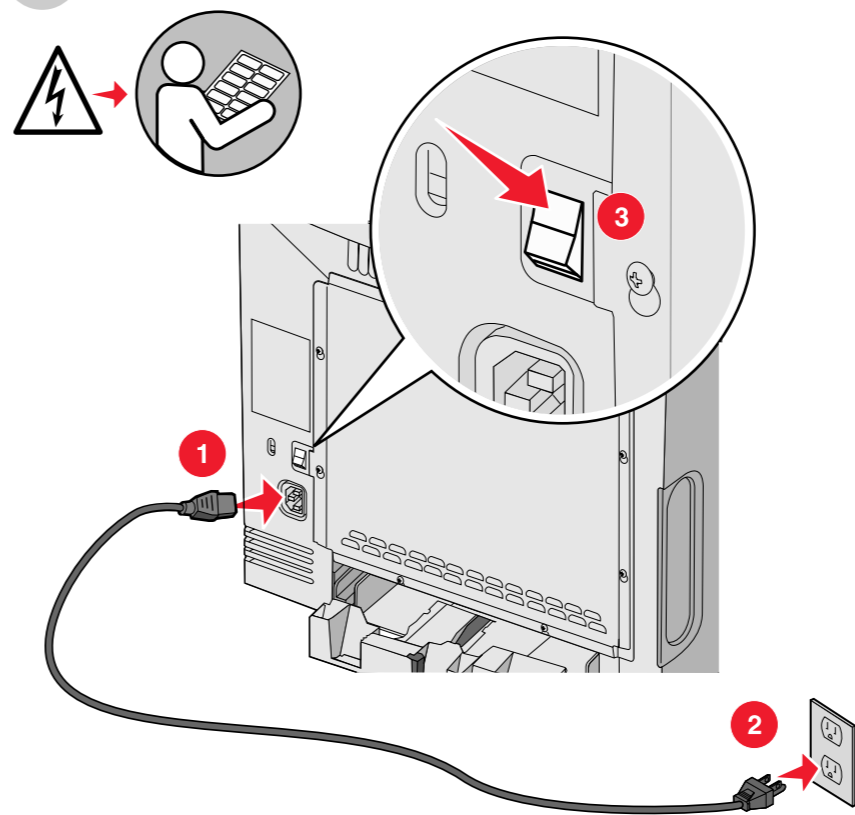


14



or
ou
oder
o
eller
of
tai
lub
или
或
或

15



Federal Communications
Commission (FCC)
Information
This device complies with Part 15
of the FCC rules. Refer to the
publications CD for more
compliance information.